



# ADA100

Professional analog or digital distribution amplifier, all the inputs and output resample for network monitoring

# ADA100 Audio Distribution Amplifier with RJ45 monitor interface

The ADA100 is a 1U rack-mount high performance distribution amplifier designed to accept AES/EBU input or Analog input. ADA100 have 2 series, which are:

Analog series, include:

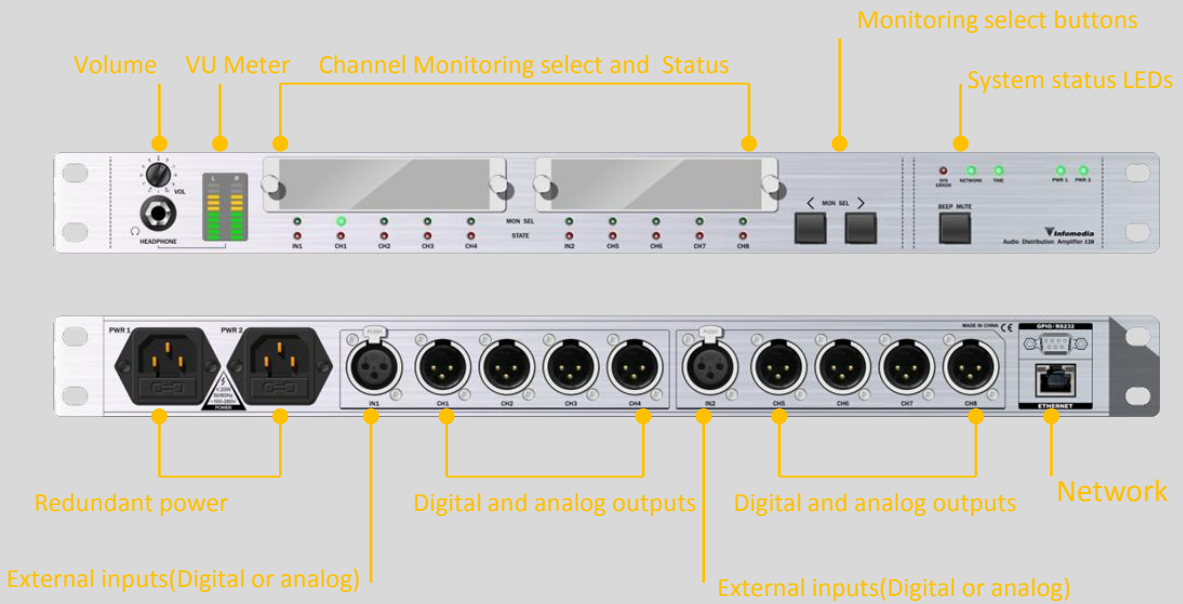
- 1 stereo input, 4 stereo output (A4S)
- 1 mono input, 8 mono output (A8M)
- Dual 1 mono input, 4 mono output(A4M\*2)

AES/EBU series, include:

- 1 stereo input, 4 stereo output (D4S)
- 1 stereo input, 8 stereo output (D8S)
- Dual 1 stereo input, 4 stereo output (D4S\*2)

## Description

- By-pass
- On front panel, all input/output signals can be indicated /monitored
- Indicate/Monitor the entire input/output signals through the network
- Collect and test all the output signal feedbacks, to ensure the credibility of output signal testing
- Redundant power supply, front panel and network indicator
- Integrated buzzer for alarm
- Alarm signal output through GPIO
- Mute button of front panel controls buzzer and GPIO alarm output
- Network Alarm
- Internal RTC to set detection time
- Timing through RS232 or network
- Analog signal with gain range (-12DB ~ +12DB)
- Internal SRC for Digital Input
- Audio signal distribution through hardware, no software controlling, more reliable.



### Connectors

2 XLR inputs, 8 XLR outputs

1 RJ45 connector

1 DB9 Include GPIO, RS232

1 6.5mm ear-plug

1 volume control

2 220V AC power, fuse

1 stereo VU meter LED modular

10 channel LED indicator Red

10 channel LED monitor Green

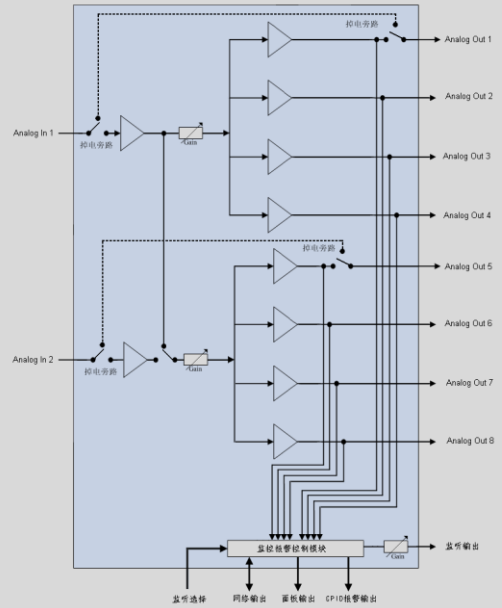
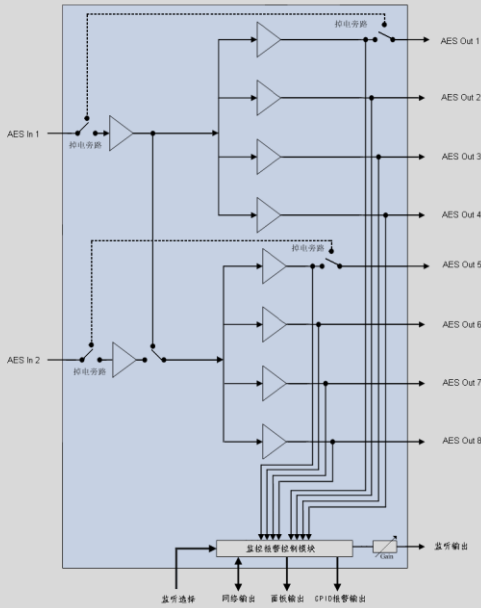
2 select button for channel monitor

1 alarm mute button

2 power supply indicator

3 system statement

1 power on-off switch



## AES/EBU Specification

|                           |             |
|---------------------------|-------------|
| Connector                 | XLR         |
| Type                      | AES/EBU     |
| Sample rate               | 32-192KHz   |
| Coupled modes             | transformer |
| Input Impedance           | 110Ω        |
| Output Impedance          | 110Ω        |
| Output voltage            | 2-4Vp-p     |
| Min input AES/EBU voltage | 200mVp-p    |

## Analog Specification

|                    |                                |
|--------------------|--------------------------------|
| Connector          | XLR balanced input/output      |
| Max input level    | +24dBu                         |
| Input Impedance    | >=10KΩ                         |
| Max output level   | +24dBu                         |
| Output Impedance   | 40Ω                            |
| Gain adjustment    | +12dB~-12dB                    |
| Frequency          | 20Hz~80KHz 0.2 dB              |
| THD+N              | >=100dB, ref 20Hz~20KHz, 20dBu |
| Dynamic            | 110dB                          |
| Channel Separation | -100dB                         |

Get more information

Please visit

[www.infomedia.com.cn/english](http://www.infomedia.com.cn/english)

---

Infomedia Digital Technology Co., Ltd

**Headquarter**

Beijing office

ADD: Building B, Institute of printing technology of China, No 2,Cuiweilu, Haidian , Beijing

PHONE: +86 10 5165 0197

EMAIL: [sales@infomedia.com.cn](mailto:sales@infomedia.com.cn)